

supervac[®]

intelligent vacuum packaging



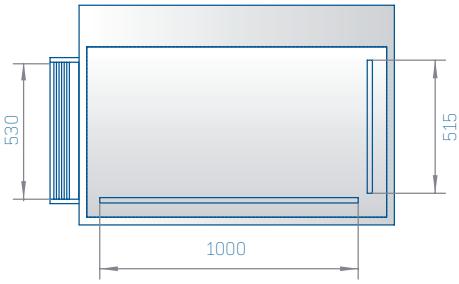
Supervac GK 195B Fully Automatic Chamber Machine

- All stainless steel construction.
- Single chamber machine with powered discharge conveyor in the chamber and automatic lid drive with safety frame for fully automatic operation – single cycles can be activated manually.
- Automatic discharge of the products by a powered discharge conveyor with infinitely variable height adjustment (0-70mm) – removable for fast and easy cleaning.

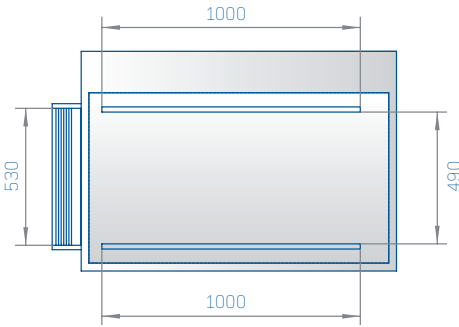
GK 195B

- High Pressure Biactive Sealing for tough and reliable seals despite wrinkles, moisture and grease in the seal area.
- Expansion Cushion with Snap-out Frame reduces evacuation time by up to 30% and prevents wrinkles on the upper side of the package.
- Easy to maintain.
- Hygienic design – easy to clean.

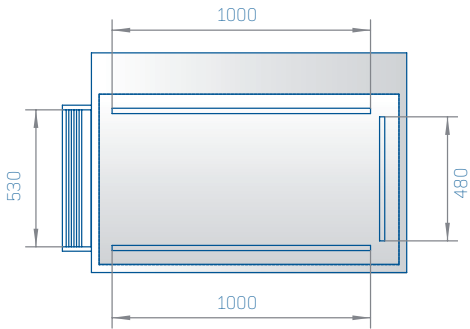
Model GK 195B/2R -
1 front and 1 side sealing bar



Model GK 195B/2 -
2 sealing bars, 1 front, 1 rear



Model GK 195B/3R - 3 sealing bars
1 front, 1 rear and 1 side sealing bar



GK 195B

The Compact and Adaptable Packaging Solution

Standard Features:

- High Pressure Biactive Sealing with Spring loaded Resistance Wires.
- DIGIMAT 5, Microprocessor control unit (20 programmes).
- Automatically operated outfeed rollers, 130mm.
- Expansion Cushion with Snap-out Frame.

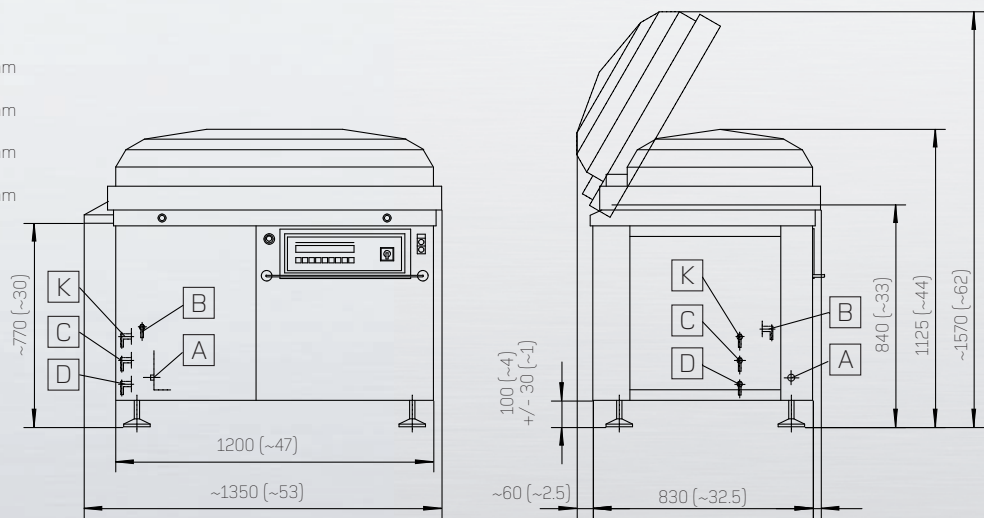
Optional Features:

- Cut-off perforation knives or straight cut-off knives, to remove overlength of bag material parallel to the seal. Unlike hot-wire cut-off these are suitable for shrink bags, laminate bags and aluminium foil bags, and are extremely durable.
- Watercooled Sealing Bars.
- Gas Flushing: large diameter pipes ensure fast flushing. 6 nozzles on the front/rear bars, 3 nozzles on the side bar.
- Recommended Vacuum Pump: 250m³/h with integral exhaust.

Technical Data:

Outside dimensions.....	1350 x 920 x 1570 mm	53" x 36" x 62"
Chamber size.....	1160 x 660 x max. 230 mm	46" x 26" x max. 9"
Max. product height with conveyor.....	180 mm	7"
without conveyor.....	230 mm	9"
Recommended vacuum pump.....	250 m ³ /h	
Electricity consumption (without pump).....	3.2 kW	
Compressed air consumption.....	30 NI / min. 6 bar	
Total weight without pump.....	approx. 350 kg	approx. 770 lbs

- A** Mains connection
- B** Compressed air.....R ¼" - 9 mm
- C** Water inlet.....R ¼" - 9 mm
- D** Water drain.....R ¼" - 9 mm
- K** Gas connection.....R ¼" - 9 mm



Subject to change without notice.

Copyright © 2012 Supervac Ges.m.b.H. All rights reserved.
03/2013 | Supervac is a registered trademark of Supervac Ges.m.b.H.